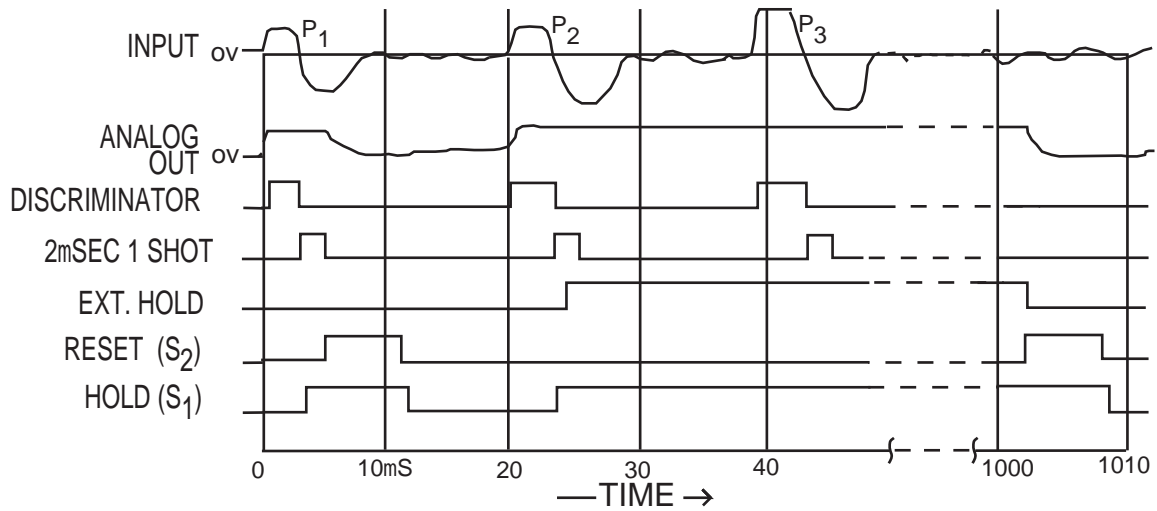
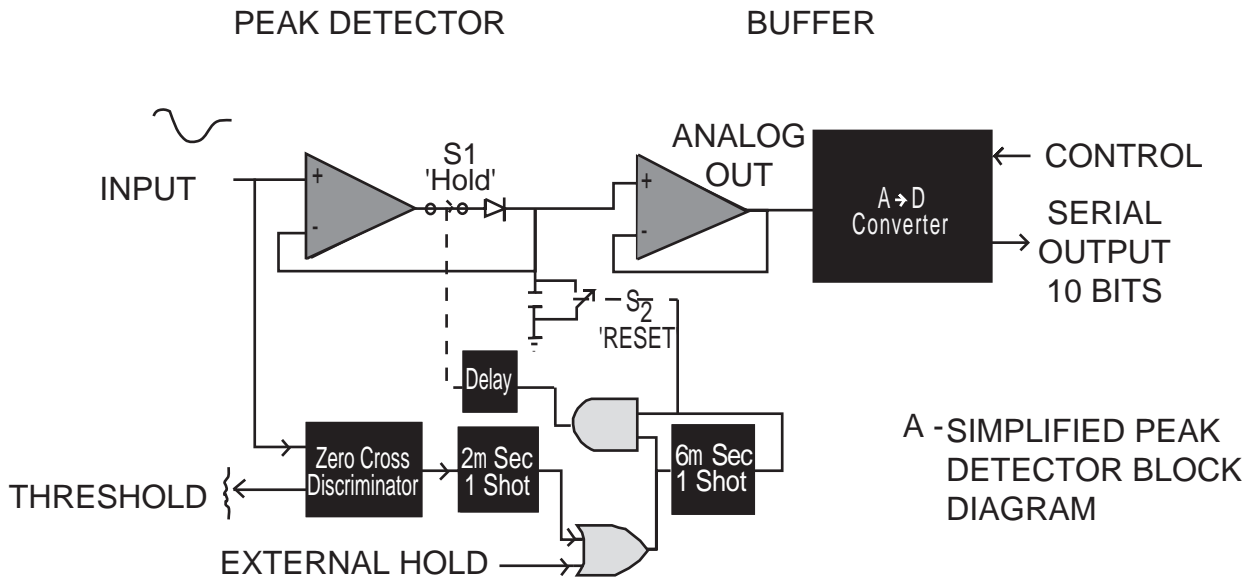


Fig #1 PHA 9 March '76'



B - Typical Timing For Peak Pulse Measurement

P₁ - No Interest, Immediate Reset

P₂ - Data System Request Measurement

P₃ - Gated Out (S₁ is Open)