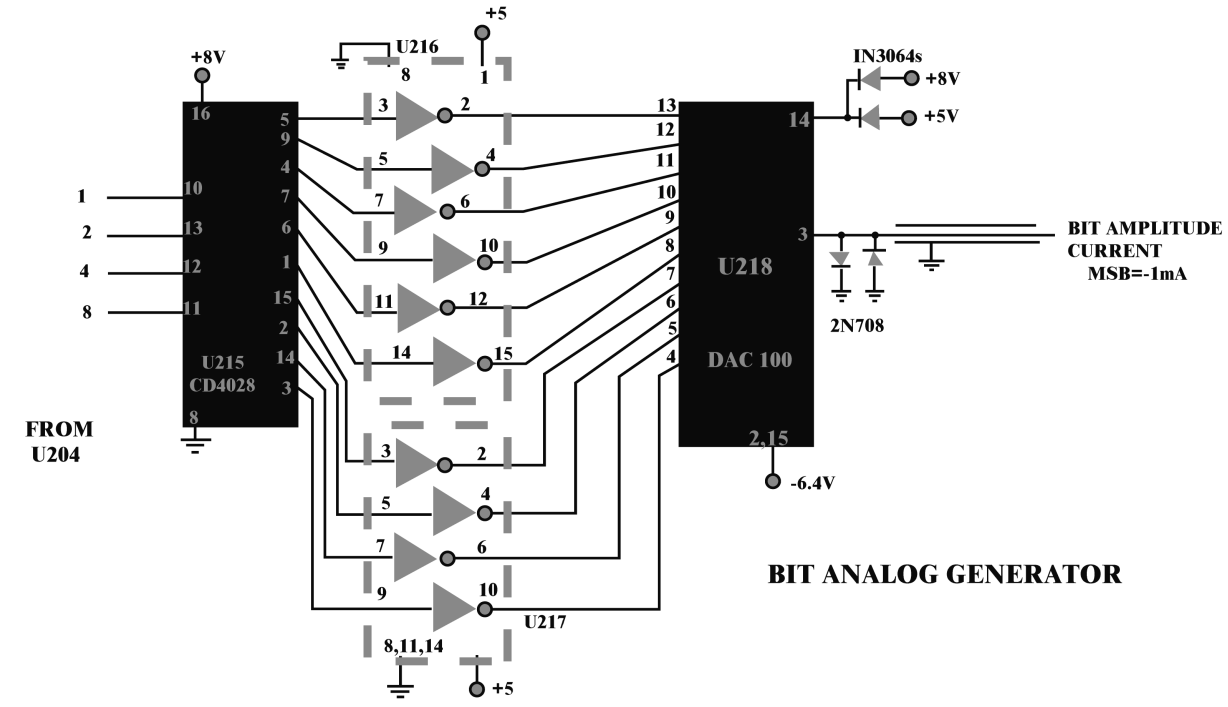
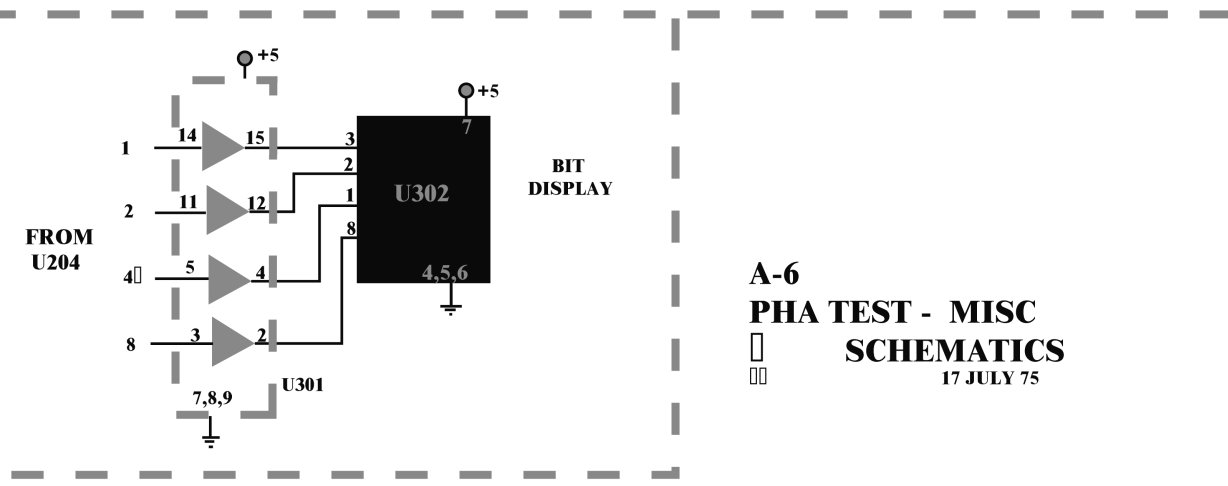


U1 - FD 400
U2 - RAYTHEON RC 4194TK
U3 -> U6 - IN4721
T1 & T2 P8180 25VCT@1A



BIT ANALOG GENERATOR



BIT DISPLAY

A-6
PHA TEST - MISC
SCHEMATICS
 17 JULY 75