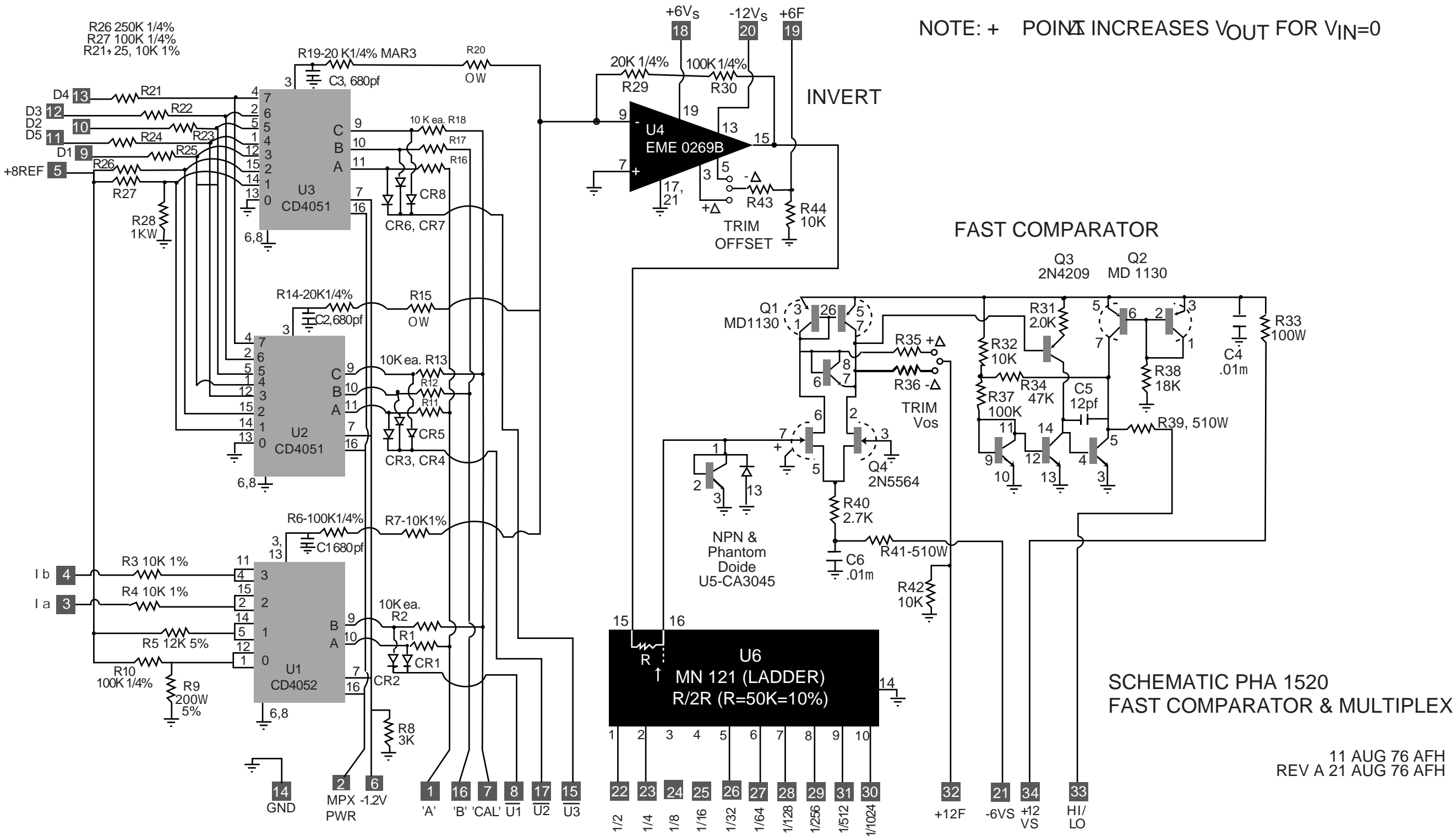


R26 250K 1/4%
 R27 100K 1/4%
 R21: 25, 10K 1%

NOTE: + POINT INCREASES V_{OUT} FOR $V_{IN}=0$



SCHEMATIC PHA 1520
 FAST COMPARATOR & MULTIPLEX

11 AUG 76 AFH
 REV A 21 AUG 76 AFH